

## Duroplast surface-mounted socket outlet

Perilex

2491010




### General information

Product number	2491010
Model	Duroplast surface-mounted socket outlet
Colour	white

### Electrical parameters

Current	16A
Voltage	230/400V
Poles	3P +N+ PE

### Standards/Directives

According to	DIN 49445/46 / DIN VDE 0620
Standard	Perilex
Certification marks	

### Operating conditions

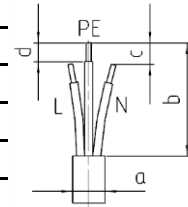
Storage temperature	-15°C to +60°C
Operating temperature	-15°C to +35°C
Relative humidity	5 to 95%, no condensation
Degree of protection	IP20

### Materials

Contact Carrier	Duroplast
Housing	Duroplast

### Connecting cable

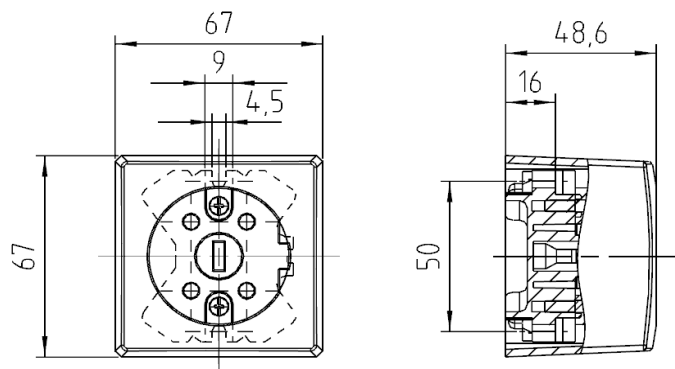
Cross section	5x1,5mm <sup>2</sup> -4mm <sup>2</sup>
Cable diameter, dimension a	max. 20,0mm
Insulation strip length sheath, dimension b	-
Trim L/N, dimension c	-
Insulation strip length cores, dimension d	8-10mm



### Connection screws

Max. torque for screws L-N/PE	1,2 Nm
Screw drive L-N/PE	Combined slot/PZ2
Max. torque for screws housing	0,8 Nm
Screw drive housing	Combined slot/PZ2

Subject to modifications



If the application requires extended specifications, we recommend to test the application under real or simulated conditions. Parameters like duration, quantity and temperature will effect the result significantly