

mill

Instruction manual



Series: Outdoor Heating



EN

NO

DK

SE

FI

Please read the manual carefully and make sure that the patio heater is installed according to the provided instructions. The use and maintenance of the product must follow the operation manual as well. Failure to carefully observe these instructions may result in damage to the patio heater and personal injury. If you have any questions about the product assembly or operation, please contact the product importer.



Scandinavian home comfort

Mill is a Norwegian brand that develops heating and indoor air quality products tailored for your modern home. Inspired by Scandinavian nature, our products are designed to sustain the toughest of climates to ensure safe, efficient and comfortable temperatures, as well as good air quality.

Mill products are praised for their minimalistic and elegant features as they blend in naturally with any modern interior. Our advanced and user-friendly technology will support a relaxing and healthy home space with reliable temperatures and air quality. Mill's vision is to develop products that create an enjoyable and harmonic household atmosphere, enhancing both comfort and style; the ultimate Scandinavian home comfort.

We hope you enjoy your Mill product.

User manual in local language is available at millnorway.com

Improving our environmental footprint is a key priority for Mill. Reducing the consumption of paper is one of the steps in Mill's Sustainability Program. If you need a printed copy please contact us at post@millnorway.com. Safety information in local language is available at the back of this booklet.

Follow us on social media:

 fb.com/millnorway

 [@millnorway](https://www.instagram.com/millnorway)

 millnorway.com

 post@millnorway.com



Content

- P. 2-4** | Important Safety Information
- P. 5** | Specifications
- P. 5** | Installation of OH2000ULGPFLOOR
- P. 6** | Installation of OH2000ULGPLIM and OH2000ULGP
- P. 7-8** | Operation
- P. 9** | Troubleshooting
- P. 10** | Replacement of Heating Lamp OH2000ULGPFLOOR
- P. 10** | Replacement of Heating Lamp OH2000ULGPLIM
- P. 11** | Maintenance
- P. 11-12** | Warranty
- P. 12** | Waste Management

Important safety information

PLEASE READ THE OPERATION MANUAL CAREFULLY

You should always take standard safety precautions when using electrical appliances, especially in the presence of children

WARNING! In order to avoid electric shock or heat-related damages, always make sure that the plug has been disconnected from the electric socket prior to moving or cleaning the product.

- Make sure that the product is connected to the ordinary domestic mains, as shown on the product marking.
- Make sure there are no fragments (polystyrene/cardboard) from the packaging left on the heating lamp. Such fragments have to be removed in order to avoid unpleasant odours.
- Avoid overheating the product — do not cover.
- Pay special attention if the product is used in the presence of children, the elderly or the infirm.
- The product must not be installed right under an electric socket.
- Make sure that no one can stumble upon the cable.
- The product must not be used if the cable or the plug is damaged or if it has been dropped to the ground or is damaged in any other way, thus preventing normal operation.
- If the power cable is damaged, it has to be repaired by the manufacturer or a qualified technician in order to avoid hazardous situations.
- Avoid using an extension cord since it can get overheated and possibly start a fire.



- The product must not be installed on flammable materials due to risk of fire.
- The product must never be used in places where petrol, paint or any other easily inflammable liquids are stored.
- Never handle the product with wet hands.
- Do not touch the heating lamp with bare fingers. If the heating lamp has been touched in connection with a fault, any fingerprints have to be wiped off using a soft cloth moistened with denatured alcohol. The fingerprints leave grease which can burn to the heating lamp. This shortens the service life of the heating lamp.
- The product becomes hot when switched on. Please be careful so that you do not burn your skin.
- The product has to be turned off, its plug disconnected and the heater cold before it can be moved.
- Do not overload the mains (circuit) to which the product is connected. Exercise caution if another electric appliance is connected to the same electric socket or circuit.
- Make sure that the product is installed in a safe manner and is mounted securely on a wall or an approved stand.
- The product may not be used by children aged 8 years or younger, or by persons with reduced physical or mental capacity, or persons who lack proper knowledge and experience unless they are supervised or receive instructions on the use of the appliance in a safe manner, and understand the dangers involved.
- Children must not play with the product. Cleaning and maintenance may not be carried out by children without proper supervision.
- Children aged 3 years or less must be kept away from the product unless they are under constant supervision.

- Children aged 3-8 years are only allowed to turn the product ON/OFF, provided that the product has been installed according to the assembly manual and that the children have received proper instruction on or are being supervised regarding the safe use of the product, and that they understand all dangers involved.

ALLOW THE PRODUCT TO COOL DOWN FOR AT LEAST 30 MINUTES BEFORE REPLACING THE HEATING LAMP.

Risk of fire

The patio heater must not be placed at a distance of less than 1 meter to furniture, curtains or any other flammable material. The product has to be connected to an electric socket approved for outdoor use.

The product must not be covered or placed close to flammable liquids, gasses or any other flammable materials.



KEEP THIS OPERATION MANUAL FOR FUTURE REFERENCE!



**NEVER TOUCH THE PRODUCT WITH WET HANDS.
NEVER COVER YOUR PATIO HEATER.
THE PRODUCT IS HOT — DO NOT TOUCH**

Specifications

Model	Heating Lamp	Cable	Fuse requirement	Ampere requirements	Amperage	Power (W)	IP rating
OH2000ULGPFLOOR	ULG+*	Black 1,9 m **	B	10A	220-240V~, 50/60Hz	2000	IPx5
OH2000ULGPSLIM	ULG+*	Black 1,9 m **	B	10A	220-240V~, 50/60Hz	2000	IP65
OH2000ULGP	ULG+*	Black 1,9 m **	C (Slow)	10A	220-240V~, 50/60Hz	2000	IP65

* ULG+ = Ultra Low Glare Plus

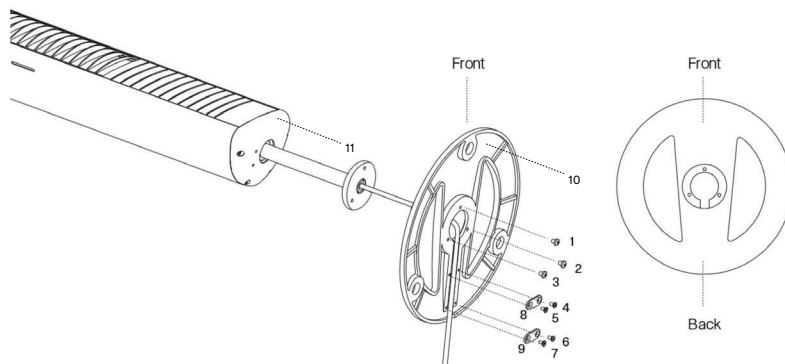
** Maximum length that is permitted under European Standard

Model	Dimensions (cm)	Weight	Remote control	Remote control distance	Wall/Roof mounted
OH2000ULGPFLOOR	28,0*106,0*28,0	7,0 kg	Yes	5 meter	No
OH2000ULGSLIM	77,7*8,3*5,3	2,0 kg	Yes	5 meter	Yes
OH2000ULGP	61,8*10,0*6,0	1,82 kg	Yes	5 meter	Yes

Installation

OH2000ULGPFLOOR

- Unpack the heater.
- Pass the power cord through the base (10).
- Use three M5 screws (1, 2, 3) to connect the heater (11) to the base (10).
- Use four M4 screws (4, 5, 6, 7) and parts 8 and 9 to fix the power cord to the base (10).

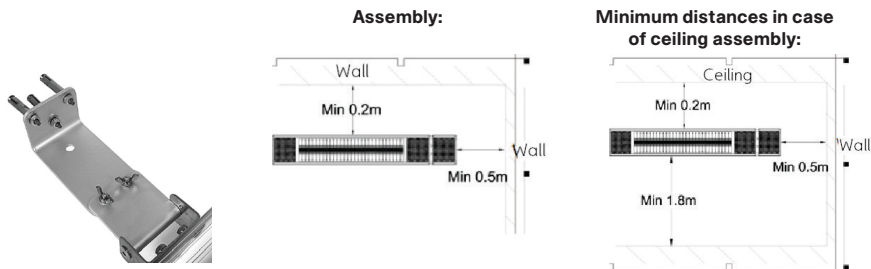


Installation

OH2000ULGPLIM and OH2000ULGP

- When unpacking the patio heater, check for missing parts and make sure that it is not faulty or defective.
- Keep the packaging away from children as it can be dangerous.
- Make sure that the mains voltage matches the rated voltage on the type plate.
- Do not disassemble any of the heater components.
- Never pull the power cable in order to move the patio heater.
- Make sure that the wall is firm and solid before any wall drilling or screwing.
- When using a stand, always make sure that it is designed to support the patio heater and that the stand has been installed according to the assembly instructions.
- Always use the supplied bracket when installing the product on a wall. Inspect it for damages and make sure it is intact.
- The patio heater should be installed at a distance of at least 1.8 m from the floor and 0.2 m from the ceiling or superstructure (see the drawing below).
- The patio heater should be placed at a distance of at least 0.5 m from adjacent walls or any other objects on both sides (see the drawing below).
- The patio heater should be installed at an angle of 45 degrees (see the drawing below).
- There should always be a safety distance of at least 1 m in front of the heater.
- The heater must be connected to an earthed socket.
- Do not turn on the patio heater before the installation is complete.

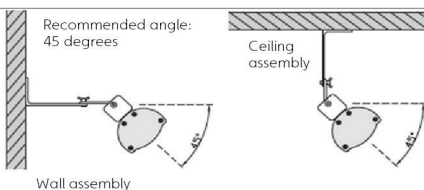
Bracket: Attach to the wall/ceiling. Connect the bracket and the patio heater using the two wing nuts. See the illustration below.



NB! The minimum distance between the wall/ceiling and the patio heater is derived from the length of the supplied bracket.

The patio heater can be installed on the ceiling by using the supplied bracket.

Recommended angle (45 degrees). Use an Umbraco key to set the desired angle of the attachment bracket at the back of the product. See the illustration.

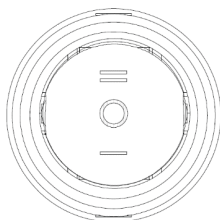




Operation

BEFORE USE: You need to put the patio heater in standby mode in order to use the remote control. Put the patio heater in standby mode by pressing I on the ON/OFF button placed on the short side of the heater (O = OFF, I = STANDBY, II = ON). You can now use the remote control to turn the heat on and off, as well as adjusting the effect level.

If you do not want to use the remote control, you can switch on the patio heater manually by pressing II on the ON / OFF button on the short side of the heater. The patio heater will then go to the maximum wattage level. To adjust the effect level you need to put the patio heater in standby mode I and use the remote control to adjust the heat. (does not apply to OH2000ULGP which only has one effect level).



ON/OFF button

O = OFF

I = Standby

II = ON (maximum effect level)



ON/OFF remote control for model OH2000ULGP



Remote control with 6 effect levels for OH2000ULGPLSLIM and OH2000ULGPFLOOR

OH2000ULGP

The wireless remote control can turn the patio heater on/off; press ON to start the patio heater and OFF to switch it off.

Battery type: two AAA, not included.

PRIOR TO OPERATION: PUT THE PATIO HEATER IN STANDBY MODE BY PRESSING THE ON/OFF BUTTON ON THE SHORT SIDE OF THE HEATER (I=STANDBY, O=OFF).

If you do not want to use the remote control, you may switch the heater on manually by pressing II on the ON/OFF button on the short side of the heater.

Please note that OH2000ULGP requires a slow blow fuse (fuse type C or slower).


OH2000ULGPLSLIM and OH2000ULGPFLOOR

The wireless remote control can turn the patio heater on/off and adjust the heat by setting the power to 6 different levels; 33%–50%–60%–70%–80%–100%.

PRIOR TO OPERATION: PUT THE PATIO HEATER IN STANDBY MODE BY PRESSING THE ON/OFF BUTTON ON THE SHORT SIDE OF THE HEATER (I=STANDBY, O=OFF).

If you do not want to use the remote control, you may switch the heater on manually by pressing II on the ON/OFF button on the short side of the heater. The heater will then go to maximum wattage level.

The heater needs to be in standby mode to use the remote control:

	Up arrow	Up one heating level.
	Down arrow	Down one heating level.
	MAX	The heater goes directly to the highest heating level.
	On	To switch the heater on: Press ON (<u>4 seconds after the heater has been turned on, it will automatically switch to the last heating level used</u>). In case of first-time use, after 4 seconds the heater will automatically switch to 100% power.
	Off	To switch the heater off: Press OFF. The heater will switch to standby mode (the receiver indicator will light up).
	Battery type	Two AAA, not included.



Troubleshooting

Before you go through the troubleshooting procedure below, please check the following:

Check if there is electricity in the socket.

Check that the correct fuse type is used. See page 5 for an overview of the fuse types required by the different models.

Make sure that the product is in standby mode. In other words, the ON/OFF switch on the right side is in position I and the receiver indicator on the front right is turned on.

Fault	Cause	Remedy
The product does not generate heat and the receiver light does not respond when a remote control button is pressed.	The battery has been improperly inserted in the remote control, flat battery or defective remote control.	Check whether the battery is properly inserted and make sure that the battery is not flat. In case the problem persists after the abovementioned corrections, contact Mill and request a new remote control
The product does not generate heat but the receiver light responds as if the heater is switched on when pressing different heating levels on the remote control.	Defective heating lamp.	Contact Mill and request a new heating lamp. For more information, please see the next page for a description of the EASY FIX system.
The product does not generate heat and the receiver indicator is not on.	Defective product.	Make sure that you have checked items 1-3 above. If the problem persists, the product is defective. Return the product to the dealer.
Cannot adjust the heater with the remote control.	The product is not set in standby mode.	You need to put the patio heater in standby mode in order to use the remote control.

Heating Lamp Replacement — EASY FIX SYSTEM (EFS)

APPLIES TO ALL MODELS EXCEPT OH2000ULGP. ALLOW THE PRODUCT TO COOL DOWN FOR AT LEAST 30 MINUTES BEFORE REPLACING THE HEATING LAMP. PULL THE PLUG OUT OF THE ELECTRIC SOCKET.

A new heating lamp can be obtained from your dealer or directly from Mill International AS.

See separate illustration sheet and follow the below instructions for model OH2000ULGPFLOR:

1. Unscrew the end cap.
2. Slide out the Front Cover and backside plate manually.
3. Open the housing by rotating it in the direction shown on the drawing. Loosen the connection on each side of the heating lamps and pull the cables way from each other.
4. Loosen the lock on the heating lamp on both sides. Remove the heating lamp.
5. Insert the new heating lamp and slide in the Light Holder with bending, then let the wires go through in from the hole and let them out from the bottom hole; NB! Do not touch the heating lamp with bare fingers. If the heating lamp has been touched in connection with a fault, any fingerprints have to be wiped off using a soft cloth moistened with denatured alcohol. The fingerprints leave grease which can burn to the heating lamps. This shortens the service of the heater.
6. Fix the lock on the heating lamp on both sides. Thread the longer wire cable from the bottom hole to the top hole.
7. Connect the cables, screw the housing, and secure the locks on both sides of the heating lamp. Put the front cover and the backside plate in place again.
8. Screw the end cap back on.

See separate illustration sheet and follow the below instructions for model OH2000ULGPSLIM:

1. Unscrew the end cap on the left side of the product.
2. Open the housing by rotating it in the direction shown on the drawing and loosen connection on left side of the heating lamp, pull the cable from each other (NB! Press the blocking lock when drawing the cables away from each other).
3. Slide out the Front Covers as the picture shows.
4. Remove the Heat Shield with a screw tool.
5. Unscrew the capsule. Loosen the connection on the right side of the heating lamps and pull the cables way from each other (NB! Press the blocking lock when drawing the cables away from each other).
6. Remove the Light holder manually.
7. Remove the heating lamp and insert the new one. After assembly with new heating tube, fix it on the Light Holder. Secure the locks on both sides of the heating lamp. Secure the locks on both sides of the heating lamp. NB! Do not touch the heating lamp with bare fingers. If the heating lamp has been touched in connection with a fault, any fingerprints have to be wiped off using a soft cloth moistened with denatured alcohol, the fingerprints leave grease which can burn to the heating lamp. This shortens the service life of the heater.
8. Assembly the Heat Shield and fasten it by screws.
9. Fasten the right connection and screw the capsule tightly.
10. Slide the front covers in place again.
11. Connect the cables on the left side and screw the capsule tightly.
12. Screw the end cap back on.



Maintenance

The maintenance is simple and does not involve dismantling or moving parts. Make sure that the power is off, and that the heater is cold before wiping the product with a dry cloth.

Do not touch the heating lamp with your hands or with hard objects.

Do not use abrasive or corrosive agents to wash the patio heater.

Warranty

Mill offers consumers 5 years warranty for any Mill product from date of purchase by a consumer. For business customers, a warranty period of 2 years will apply (applicable in case the end-users are businesses).

This warranty provides the customer with a right to, at Mill's reasonable discretion, either repair or replacement of a defected product, or alternatively a refund.

The warranty only covers defects that originates from Mill. The customer will therefore not have a valid warranty claim if the defect is a result of circumstances such as the following:

- Negligent use, misuse, neglect, or careless operation of the product not in accordance with the Mill user manual.
- Defects caused by transport incurred outside Mill's responsibility.
- Normal wear and tear, including parts that might wear out over time as for example batteries for remote controls (if applicable), filters, tubes, and lamps for outdoor heating etc.
- Damage because of use not in accordance with the rated power and Hz.
- Damage caused by inadequate product maintenance.
- Damage from electrical outages, power surges and/or weather.
- Damage as the result of not installing or assembling the product in accordance with the Mill user manual.
- Use of parts and accessories, i.e., filter, which are not official Mill certified components.
- Repairs or alterations carried out by parties other than Mill or its authorized agents.
- Minor deviations from the stated quality that are insignificant for the value and soundness of the product or deviations that the customer could reasonably expect.
- Devices used with third-party software or equipment.
- Software and connectivity issues due to local restrictions in accessing our cloud services.
- Software and connectivity issues due to non-supported third-party devices.
- App or cloud/online service downtime does not fall under warranty.

Mill must provide evidence that the product's damage has not existed when the product was sold to the customer within the first year after the purchase.

For the avoidance of doubt, this warranty does not provide the customer or any third party with any right to damages, compensation nor price reduction of any kind. Mill will not have any obligation under this warranty to cover any losses incurred by the customer or any third party.

These warranty terms are only valid for customers, who purchase products through authorized Mill resellers.

The customer's rights and remedies pursuant to applicable mandatory law will not be limited nor affected by this warranty.


The seller will handle the warranty claim on behalf of Mill. To make a claim under this warranty, the end-consumer has to follow the steps described below.

Claims Process / Required Documentation

1. Contact the Mill Authorised Reseller where you purchased the product. Bring your original receipt for the purchase, serial number of the product, and the faulty product.
2. The Mill Authorised Reseller tests the product and evaluates if the claim is covered by end-consumer warranty.
3. If the claim is covered by the warranty, the Mill Authorised Reseller, in accordance with instructions from Mill and based on consumer law, decides whether to repair, replace or refund the product.



Waste management

The symbol  indicates that this product should not be thrown away along with ordinary household waste. In order to prevent possible damage to the environment or to human health, the product must be delivered for refurbishment of electric and electronic equipment. Your local electricity company or recycling station can manage the environmentally friendly destruction or refurbishment of such products.

mill

Mill International AS

Grini Næringspark 10
1361 Østerås
Norway

www.millnorway.com





Innhold

- P. 2-4** | Viktig sikkerhetsinformasjon
- P. 5** | Spesifikasjoner
- P. 5** | Installasjon av OH2000ULGPFLOOR
- P. 6** | Installasjon av OH2000ULGPSLIM og OH2000ULGP
- P. 7-8** | Bruk
- P. 9** | Feilsøking
- P. 9-10** | Utskifting av varmelampe OH2000ULGPFLOOR
- P. 10** | Utskifting av varmelampe OH2000ULGPSLIM
- P. 10** | Vedlikehold
- P. 11-12** | Garanti
- P. 12** | Avfallshåndtering

Viktig sikkerhetsinformasjon

LES INSTRUKSJONENE NØYE

Vanlige sikkerhetsregler må alltid følges ved bruk av elektriske artikler, spesielt når barn er tilstede.

ADVARSEL! For å unngå elektrisk støt eller skader på grunn av varme, pass alltid på at støpselet er trukket ut før produktet flyttes eller rengjøres.

- Les bruksanvisningen nøye.
- Sørg for at produktet kobles til husets vanlige strømnnett, slik produktets merke viser.
- Sjekk at det ikke har falt rester (isopor/papp) fra innpakningen ned på varmerøret til produktet. Slike rester må fjernes for å unngå ubehagelig lukt.
- Unngå at produktet blir overopphetet — må ikke tildekkes.
- Vær spesielt oppmerksom hvis produktet er i bruk hvor barn, handikappede eller eldre oppholder seg.
- Produktet må ikke monteres opp rett "under" et elektrisk kontaktpunkt.
- Påse at ledningen ligger på en slik måte at den ingen kan snuble i ledningen.
- Produktet må ikke brukes hvis ledningen eller kontakten er skadet. Den må ikke brukes hvis den har falt i bakken eller er skadet på annen måte, slik at den ikke fungerer normalt.
- Hvis ledningen blir skadet må denne bli reparert av fabrikanten eller av en fagperson for å unngå farlige situasjoner.
- Unngå å bruke skjøteledning, da en slik ledning kan bli overopphetet og muligens starte en brann.
- Produktet må ikke monteres rett ved brennbart materiale av



noe slag da det alltid kan være en fare for brann.

- Produktet må aldri brukes hvor det lagres bensin, maling eller andre lett antennelige væsker.
- Ta aldri på produktet med våte hender.
- Ikke berør varmerøret med bare fingrene. Hvis varmerøret berøres ved en feil, skal fingeravtrykk vaskes bort med en myk klut fuktet med rødsprit. Fingeravtrykkene etterlater seg fett som kan brenne seg fast. Dette forkorter varmerørets levetid.
- Produktet blir varmt når den står på. Vær derfor oppmerksom slik at du unngår å brenne eller svi huden din.
- Produktet må være skrudd av, kontakten tatt ut og ovnen være kald før den blir flyttet på.
- Unngå overbelastning på strømmettet (kursen) hvor produktet er tilkoblet. Ta hensyn hvis annen elektrisk apparatur er koblet til samme strømmuttak eller kurs.
- Kontroller at produktet er montert på en trygg måte, og sitter godt fast på vegg eller godkjent stativ.
- Produktet kan ikke benyttes av barn under 8 år og personer med reduserte fysiske eller psykiske evner eller som mangler erfaring og kunnskap, om de ikke får tilsyn eller instruksjoner om bruk av apparatet på en sikker måte og forstår farene som er involvert.
- Barn skal ikke leke med produktet. Rengjøring og vedlikehold skal ikke utføres av barn uten tilsyn.
- Barn under 3 år skal holdes unna produktet med mindre de har kontinuerlig tilsyn.
- Barn i alderen 3 til 8 år kan kun slå AV/PÅ produktet, forutsatt at produktet er montert slik monteringsanvisningen viser, og barna har fått instruksjon eller tilsyn vedrørende bruk av produktet på en sikker måte og forstår farene som er involvert.

LA VARMEREN KJØLE SEG NED I MINST 30 MINUTTER FØR BYTTE AV VARMERØR.

Brannrisiko

Terrassevarmeren må ikke plasseres nærmere møbler, gardiner og annet brennbart materiale enn 1 meter på sidene (vær særlig oppmerksom når produktet er montert på stativet CBSTAND). Produktet skal den kobles til et nettuttak som er godkjent for utendørsbruk.

Produktet skal ikke tildekkes eller settes i nærheten av brennbare væsker, gasser eller annet brennbart materiale.



**TA VARE PÅ DENNE BRUKSANVISNINGEN!
ALDRI BERØR MED VÅTE HENDER — ELLER
DEKK TIL DIN TERRASSEVARMER.**



PRODUKTET ER VARMT — IKKE RØR

Spesifikasjoner

Modell	Varmelampe	Ledning	Sikringskrav	Amperkrav	Strømstyrke	Effekt (W)	IP grad
OH2000ULGPFLOOR	ULG+*	Sort 1,9 m **	B	10A	220-240V~, 50/60Hz	2000	IPx5
OH2000ULGPSLIM	ULG+*	Sort 1,9 m **	B	10A	220-240V~, 50/60Hz	2000	IP65
OH2000ULGP	ULG+*	Sort 1,9 m **	C (Treg)	10A	220-240V~, 50/60Hz	2000	IP65

* ULG+ = Ultra Low Glare Plus

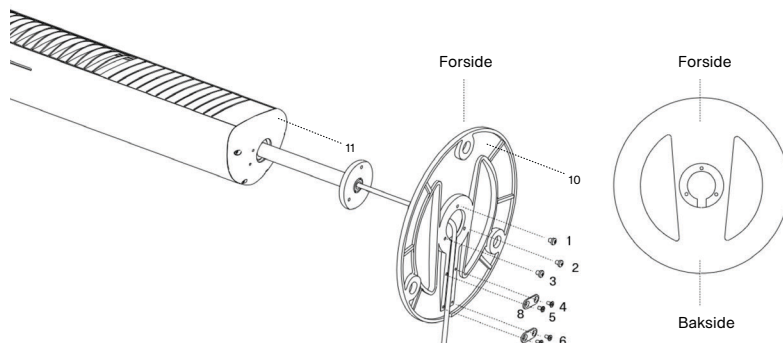
** Maksimum lengde som er tillatt ifølge Europeisk standard

Modell	Dimensjoner (cm)	Vekt	Fjernkontroll	Rekkevidde fjernkontroll	Vegg/Takfeste
OH2000ULGPFLOOR	28,0*106,0*28,0	7,0 kg	Ja	5 meter	Nei
OH2000ULGSLIM	77,7*8,3*5,3	2,0 kg	Ja	5 meter	Ja
OH2000ULGP	61,8*10,0*6,0	1,82 kg	Ja	5 meter	Ja

Installasjon

OH2000ULGPFLOOR

- Pakk ut terrassevarmeren.
- Før strømledningen gjennom sokkelen (10).
- Bruk tre M5-skruer (1, 2, 3) for å koble terrassevarmeren (11) til basen (10).
- Bruk fire M4-skruer (4, 5, 6, 7) og delene 8 og 9 for å feste strømledningen til basen (10).

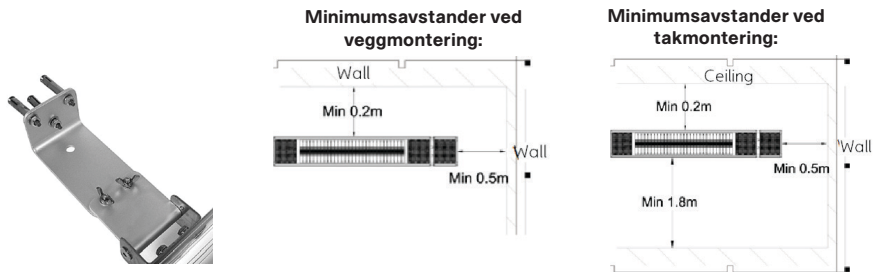


Installasjon

OH2000ULGPLIM og OH2000ULGP

- Sjekk at terrassevarmeren er komplett, uten opplagte feil eller mangler når du pakker den ut.
- Hold emballasjen vekk fra barn, den kan være farlig.
- Kontroller at nettspenningen stemmer overens med merkespenningen til produktet.
- Ikke demonter noen deler av terrassevarmeren.
- Dra ikke i strømkabelen for å flytte terrassevarmeren.
- Vær sikker på at veggen er fast og solid før boring eller skruing i veggen.
- Ved bruk av stativ, vær sikker på at denne er beregnet for terrassevarmeren, og er montert etter stativets monteringsanvisning.
- Ved montering på vegg, benytt alltid medfølgende brakett. Se til at denne er intakt.
- Terrassevarmeren bør installeres minst 1,8m fra bakken og 0,2m fra tak eller overbygg (se tegning nedenfor).
- Varmeren bør være minst 0,5 M fra tilstøtende vegger eller andre gjenstander på begge sider (se tegning nedenfor).
- Terrassevarmeren bør installeres med en vinkel mellom 45 grader (se tegning nedenfor).
- Det bør alltid være minst 1 m sikkerhetsavstand foran varmeren.
- Varmeren må tilkobles jordet kontakt.
- Sett ikke på terrassevarmeren før installasjonen er ferdig.

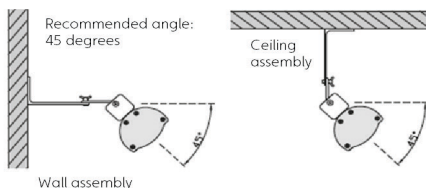
Brakett: Festes til vegg/tak. Koble brakett med terrassevarmer ved hjelp av to vingemuttere. Se bilde under.



OBS! Minimumsavstand til vegg/tak som terrassevarmeren er festet til, er gitt av lengden på medfølgende brakett.

Terrassevarmeren kan monteres i tak og vegg ved bruk av medfølgende brakett.

Anbefalt vinkel (45 grader). Bruk umbraco-nøkkel for å sette ønsket vinkel på festebraketten på baksiden av produktet. Se illustrasjon.

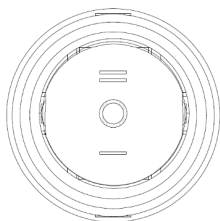




Bruk

FØR BRUK: Du må sette terrassevarmeren i standby-modus for å kunne bruke fjernkontrollen. Sett terrassevarmeren i standby-modus ved å trykke inn I på AV/PÅ-knappen som er plassert på den ene kortsiden av varmeren (O = AV, I = STANDBY, II = PÅ). Du kan nå bruke fjernkontrollen til å skru på og av varmen, samt justere effektnivået.

Hvis du ikke ønsker å bruke fjernkontrollen, kan du slå på terrassevarmeren manuelt ved å trykke inn II på AV/PÅ-knappen på kortsiden av varmeren. Terrassevarmeren vil da gå til maksimalt wattnivå. For å justere effektnivå må du sette terrassevarmeren til standby-modus I og bruke fjernkontrollen til å justere varmen (gjelder ikke OH2000ULGP som kun har ett effektnivå).



PÅ/AV knapp
O = AV
I = Standby
II = PÅ (maks effektnivå)



PÅ/AV fjernkontroll for
modell OH2000ULGP



Fjernkontroll med
6 effektnivåer
OH2000ULGPLIM og
OH2000ULGPFLOOR

OH2000ULGP

Den trådløse fjernkontrollen kan slå terrassevarmeren på/av ; trykk PÅ for å starte terrassevarmeren og AV for å slå den av.

Batteritype: to AAA, ikke inkludert.

FØR BRUK: SETT TERRASSEVARMEREN I STANDBY-MODUS VED TRYKK PÅ PÅ/AV-KNAPPEN PÅ KORTSIDEN AV VARMEREN (I=STANDBY, O=OFF).

Hvis du ikke ønsker å bruke fjernkontrollen, kan du slå på varmeren manuelt ved å trykke på II på PÅ/AV-knappen på kortsiden av varmeren.

Vær oppmerksom på at OH2000ULGP krever en treg sikring (sikring type C eller tregere).


OH2000ULGPLIM og OH2000ULGPFLOOR

Den trådløse fjernkontrollen kan slå terrassevarmeren på/av og justere varmen ved å sette Watt-effekten til 6 forskjellige nivåer; 33%–50%–60%–70%–80%–100%.

FØR BRUK: SETT TERRASSEVARMEREN I STANDBY-MODUS VED TRYKK PÅ PÅ/AV-KNAPPEN PÅ KORTSIDEN AV VARMEREN (I=STANDBY, O=AV).

Hvis du ikke ønsker å bruke fjernkontrollen, kan du slå på varmeren manuelt ved å trykke på II på PÅ/AV-knappen på kortsiden av varmeren. Varmere vil da gå til maksimalt wattnivå.

Varmeapparatet må være i standby-modus for å bruke fjernkontrollen:

	Pil opp	Opp et varmenivå.
	Pil ned	Ned et varmenivå.
	MAX	Varmere går direkte til høyeste varmenivå.
	On	Skru på varmeren: Trykk på ON. Etter 4 sekunder vil varmeren automatisk gå til sist brukte varmenivå. Ved førstegangsbruk vil den etter 4 sekunder automatisk gå til 100% effekt.
	Off	Skru av varmeren: Trykk på OFF. Varmere vil da være i standby-modus (Mottakerlyset lyser).
	Batteritype	AAA 2 stk., medfølger ikke.



Feilsøking

Før du går gjennom feilsøkingsskjema nedenfor, vennligst sjekk følgende:

Sjekk om det er strøm i kontakten.

Sjekk at du har korrekt sikringstype. Se side 5 for oversikt over hvilken sikringstype de ulike modellene krever.

Påse at produktet er satt i standby modus. Dette vil si at AV/PÅ bryter på høyre kortside står i posisjon I. Man vil se at det lyser i mottakerlyset på høyre front.

Feil	Årsak	Løsning
Produktet varmer ikke, og mottakerlyset reagerer ikke når man trykker på fjernkontrollen.	Batteri feil innsatt i fjernkontroll, flatt batteri eller defekt fjernkontroll.	Kontroller at batteri er korrekt innsatt, samt at batteriet ikke er flatt. Ved vedvarende problem etter nevnte rettelse, kontakt Mill for tilsendelse av ny fjernkontroll.
Produktet varmer ikke, men mottakerlyset reagerer som om varmeren skulle være på når man trykker på ulike varmenivå på fjernkontrollen	Defekt varmerør.	Kontakt Mill for tilsendelse av nytt varmerør. Se for øvrig neste side for beskrivelse av EASY FIX systemet.
Produktet varmer ikke, og det er heller ikke lys i mottakerlyset.	Defekt produkt.	Påse at du har kontrollert punkt 1-3 over. Om problemet vedvarer er produktet defekt. Ta produktet tilbake til forhandler.
Kan ikke justere varmeren med fjernkontrollen.	Produktet er ikke satt i standby-modus.	Du må sette terrassevarmeren i standby-modus for å bruke fjernkontrollen.

Utskifting av varmerør — EASY FIX SYSTEM (EFS)

GJELDER ALLE MODELLER UNNTATT OH2000ULGP. LA PRODUKTET KJØLE NED I MINST 30 MINUTTER FØR BYTTE AV VARMERØR. TREKK STØPSELET UT AV ELEKTRISK STIKKONTAKTEN.

Nytt varmerør kan kjøpes hos din forhandler eller direkte fra Mill International AS.

Se eget illustrasjonsark og følg instruksjonene nedenfor for modell OH2000ULGPFLOOR:

1. Skru av endelokket.
2. Skyv ut frontdekselet og baksidedeplaten manuelt.
3. Åpne kapslingen ved å dreie det i retningen vist på tegningen. Løsne koblingen på hver side av varmelampene og trekk kablene fra hverandre.
4. Løsne låsen på varmelampen på begge sider. Fjern varmelampen.

5. Sett inn den nye varmelampen og skyv inn lysholderen med bøyning, la så ledningene gå gjennom inn fra hullet og slipp dem ut fra bunnhullet. NB! Ikke berør varmelampen med bare fingre. Hvis varmelampen har blitt berørt i forbindelse med en feil, må eventuelle fingeravtrykk tørkes av med en myk klut fuktet med rødsprit. Fingeravtrykkene etterlater fett som kan brenne seg fast på varmelampene. Dette forkorter varmerørets levetid.
6. Fest låsen på varmelampen på begge sider. Tre den lengre ledningen fra det nederste hullet til det øverste hullet.
7. Koble til kablene, skru på kapslingen og fest låsene på begge sider av varmelampen. Sett frontdekselet og baksideplaten på plass igjen.
8. Skru på endelokket igjen.

Se eget illustrasjonsark og følg instruksjonene nedenfor for modell OH2000ULGPLIM:

1. Skru av endelokket på venstre side av produktet.
2. Åpne kapslingen ved å dreie det i retningen vist på tegningen og løsne koblingen på venstre side av varmelampen, trekk ledningen fra hverandre (NB! Trykk på blokkeringslåsen når kablene trekkes vekk fra hverandre).
3. Skyv ut frontdekslene som bildet viser.
4. Fjern varmeskjoldet med et skruverktøy.
5. Skru av kapselen. Løsne koblingen på høyre side av varmelampene og trekk kablene vekk fra hverandre (NB! Trykk på sperrelåsen når du trekker kablene vekk fra hverandre).
6. Fjern varmerørholderen manuelt.
7. Ta ut varmelampen og sett inn den nye. Etter montering med nytt varmerør festes det på varmerørholderen. Fest låsene på begge sider av varmelampen. Fest låsene på begge sider av varmelampen. NB! Ikke berør varmelampen med bare fingre. Hvis varmelampen har blitt berørt i forbindelse med en feil, må eventuelle fingeravtrykk tørkes av med en myk klut fuktet med rødsprit, fingeravtrykkene etterlater fett som kan brenne seg fast på varmelampen. Dette forkorter varmerens levetid.
8. Monter varmeskjoldet og fest det med skruer.
9. Fest riktig kobling og skru kapselen godt fast.
10. Skyv frontdekslene på plass igjen.
11. Koble til kablene på venstre side og skru kapselen godt fast.
12. Skru på endelokket igjen.

Vedlikehold

Vedlikehold er enkelt, uten demontering eller bevegelige deler. Sørg for at strømmen er kuttet og varmeren er kald, før du tørker over den med en tørr klut.

Ikke berør varmerøret med hendene eller harde gjenstander.

Ikke bruk slipende eller etsende løsninger for å vaske terrassevaskeren.



Garanti

Mill tilbyr forbrukere 5 års garanti fra kjøpsdatoen for ethvert Mill-produkt kjøpt av en forbruker. For bedriftskunder vil en garantiperiode på 2 år gjelde (gjelder i tilfeller der sluttbruker er en bedrift).

Denne garantien gir kunden rett til, etter Mills rimelige skjønn, enten reparasjon eller erstatning av et defekt produkt, eller alternativt refusjon.

Garantien dekker kun mangler som stammer fra Mill. Kunden vil derfor ikke ha et gyldig garantikrav dersom mangelen er et resultat av forhold som følgende:

- Uaktsom bruk, misbruk, forsømmelse eller uforsiktig bruk av produktet som ikke er i samsvar med bruksanvisningen for Mill.
- Defekter forårsaket av transport pådratt utenfor Mills ansvar.
- Normal slitasje, inkludert deler som kan slites over tid som for eksempel batterier til fjernkontroller (hvis aktuelt), filtre, rør og lamper for utendørs oppvarming etc.
- Skade på grunn av bruk som ikke er i samsvar med merkeeffekt og Hz.
- Skade forårsaket av utilstrekkelig produktvedlikehold.
- Skade fra strømbrydd, strømstøt og/eller vær.
- Skade som følge av installasjon eller montering av produktet som ikke er i samsvar med bruksanvisningen for Mill.
- Bruk av deler og tilbehør, feks. filter, som ikke er offisielle Mill-sertifiserte komponenter.
- Reparasjoner eller endringer utført av andre enn Mill eller dets autoriserte agenter.
- Mindre avvik fra oppgitt kvalitet som er uvesentlige for produktets verdi og forsvarelig eller avvik som kunden med rimelighet kunne forvente.
- Enheter som brukes med tredjeparts programvare eller utstyr.
- Problemer med programvare og tilkobling på grunn av lokale begrensninger for tilgang til skytjenestene våre.
- Problemer med programvare og tilkobling på grunn av ikke-støttede tredjepartsenheter.
- Nedetid for app eller sky/nettjeneste faller ikke inn under garantien.

Mill må dokumentere at produktets skade ikke har eksistert da produktet ble solgt til kunden innen det første året etter kjøpet.

For å unngå tvil gir denne garantien ikke kunden eller noen tredjepart noen rett til skadeerstatning, kompensasjon eller prisreduksjon av noe slag. Mill har ingen forpliktelse i henhold til denne garantien til å dekke eventuelle tap påført av kunden eller en tredjepart.

Disse garantivilkårene er kun gyldige for kunder som kjøper produkter gjennom autoriserte Mill-forhandlere.

Kundens rettigheter og rettsmidler i henhold til gjeldende ufravikelig lov vil ikke være begrenset eller påvirket av denne garantien.


Selgeren vil håndtere garantikravet på vegne av Mill. For å gjøre et krav under denne garantien, må sluttkunden følge trinnene beskrevet nedenfor.

Kravprosess / Nødvendig dokumentasjon

1. Kontakt den autoriserte Mill-forhandleren der du kjøpte produktet. Ta med den originale kvitteringen for kjøpet, serienummeret på produktet og det defekte produktet.
2. Mill forhandleren tester produktet og vurderer om kravet dekkes av garantien.
3. Hvis kravet dekkes av garantien, bestemmer den autoriserte Mill-forhandleren, i samsvar med instruksjoner fra Mill og basert på forbrukerlovgivningen, om produktet skal repareres, erstattes eller refunderes.



Avfallshåndtering

Symbolet  angir at dette produktet ikke skal kastes sammen med vanlig husholdningsavfall. For å hindre mulig skade på miljø eller helse, må dette produktet leveres til resirkulering av elektrisk og elektronisk utstyr. Din lokale el. forretning eller miljøstasjon har en ordning for å ivareta en miljøriktig destruksjon og resirkulering av slike produkter.

mill

Mill International AS

Grini Næringspark 10

1361 Østerås

Norway

www.millnorway.com





Vigtige sikkerhedsinformationer

LÆS BRUGSANVISNINGEN OMHYGGELIGT

Almindelige sikkerhedsregler skal altid følges ved brug af elektriske anordninger, især hvis der er børn til stede.

ADVARSEL! For at undgå elektrisk stød eller skader på grund af varme skal stikket altid være trukket helt ud, før produktet flyttes eller rengøres.

- Gennemlæs brugsanvisningen omhyggeligt før brug.
- Sørg for at produktet kobles til husets almindelige lysnet, som vist på produktets typeskilt.
- Kontrollér, at der er faldet rester af indpakningen (styropor/pap) ned på produktets varmerør. Sådanne rester skal fjernes for at undgå ubehagelig lugt.
- Undgå at produktet bliver overophedet – må ikke tildækkes.
- Vær specielt opmærksom, hvis produktet er i brug, hvor børn, handicappede eller ældre personer opholder sig.
- Produktet må ikke monteres op lige "under" et elektrisk kontaktpunkt.
- Sørg for, at ledningen ligger på en sådan måde, at den ingen kan snuble i ledningen.
- Produktet må ikke bruges, hvis ledningen eller kontakten er beskadiget. Den må ikke bruges, hvis det er faldet på gulvet eller er skadet på anden måde, så den ikke fungerer normalt.
- Hvis ledningen bliver beskadiget, skal den repareres af producenten eller ad en fagmand for at undgå farlige situationer.
- Undgå at bruge forlængerledning, da en sådan ledning kan blive overophedet og muligvis starte en brand.

- Produktet må ikke monteres i nærheden af brændbart materiale av nogen art, da der altid kan være fare for brand.
- Produktet må aldrig bruges på steder, hvor der lagres benzin, maling eller andre letantændelige væsker.
- Berør aldrig produktet med våde hænder.
- Berør ikke varmerøret med bare fingre. Hvis varmerøret berøres ved en fejltagelse, skal fingeraftryk vaskes væk med en blød klud fugtet med husholdningssprit. Fingeraftryk efterlader fedt, som kan brænde sig fast. Dette forkorter varmerørets levetid.
- Produktet bliver varmt, når det er tændt. Vær derfor opmærksom, så du undgår at brænde eller svide huden.
- Produktet skal være slukket, kontakten trukket ud og ovnen være kold, før det bliver flyttet.
- Undgå overbelastning af lysnettet (gruppen), hvor produktet er tilkoblet. Tag hensyn, hvis der er koblet andet elektrisk apparatur til samme kontakt eller gruppe.
- Kontrollér at produktet er monteret på en tryk måde og sidder godt fast på væg eller godkendt stativ.
- Produktet må ikke benyttes af børn under 8 år og personer med nedsatte fysiske eller psykiske evner eller som mangler erfaring og kundskaber, medmindre de er under opsyn eller er instrueret i brug af apparatet på en sikker måde og forstår de farer, anvendelsen indebærer.
- Børn må ikke lege med produktet. Rengøring og vedligeholdelse må ikke udføres af børn uden opsyn.
- Børn i alderen 3 til 8 år må kun TÆNDE/SLUKE for produktet, hvis produktet er monteret sådan som monteringsanvisningen viser, og børnene er under opsyn eller fået vinstruktioner vedrørende brug af produktet på en sikker måde og forstår de farer, anvendelsen indebærer.



LAD VARMEREN KØLE NED IMINDST 30 MINUTTER, FØR DER UDSKIFTES VAREMRØR.

Brandfare

Terrassevarmeren må ikke placeres nærmere møbler, gardiner og andet brændbart materiale end 1 meter til siderne (vær særlig opmærksom, når produktet er monteret CBSTAND).

Produktet skal det kobles til en lysnekontakt, der er godkendt til udendørsbrug.

Produktet må ikke tildækkes eller sættes i nærheden af brændbare væsker, gasser eller andet brændbart materiale.



**GEM DENNE BRUGSANVISNING!
MÅ ALDRIG BERØRES MED VÅDE HÆNDER —
ELLER TILDÆK DIN TERRASSEVARMER.**



PRODUKTET ER VARMT — RØR IKKE

Viktig säkerhetsinformation

LÄS BRUGSANVISNINGEN OMHYGGELIGT

Normala försiktighetsåtgärder ska alltid följas vid användning av elektriska apparater, särskilt när barn är närvarande.

WARNING! För att undvika elektriska stötar eller skada orsakad av värme, se alltid till att kontakten er uttagen innan du flyttar eller rengör produkten.

- Läs bruksanvisningen noga.
- Se till att produkten kopplas till husets vanliga elnät såsom produktetiketten anger.
- Se till att det inte har fallit ner rester (frigolit/papp) av innerförpackningen på produktens värmerör. Sådana rester måste avlägsnas för att undvika obehaglig lukt.
- Undvik att produkten blir överhettad – får inte täckas över.
- Var extra uppmärksam om produkten används där barn, handikappade eller äldre befinner sig.
- Produkten får inte monteras rakt "under" en elektrisk kontaktpunkt.
- Se till att kabeln ligger på sådant sätt att ingen kan snubbla på den.
- Produkten får inte användas om kabel eller kontakt är skadad. De får inte användas om den har fallit ner på marken eller på annat sätt är skadad, så att den inte fungerar normalt.
- Om kabeln blir skadad måste denna repareras av fabrikanter eller av en yrkesperson för att undvika farliga situationer



- Undvik att använda förlängningsssladd, då denna kan bli överhettad och risk för brand kan uppstå.
- Produkten får inte monteras i närheten av brännbart material av något slag, då det alltid kan vara brandfarligt.
- Produkten får aldrig användas där det förvaras bensin, målarfärg eller andra lättantändliga produkter.
- Ta aldrig i produkten med våta händer.
- Rör inte värmeröret med bara händerna. Om värmeröret vidröres vid ett fel, måste fingeravtryck torkas bort med en mjuk trasa fuktad med rödsprit. Fingeravtryck lämnar fett som kan bränna sig fast. Detta förkortar värmerörets livstid.
- Produkten blir varm när den är på. Var därför uppmärksam så att du undviker att bränna eller sveda din huden.
- Produkten måste vara avstängd, kontakten uttagen och värmaren måste vara kall innan den kan förflyttas.
- Undvik överbelastning av elnätet (gruppen) där produkten är tillkopplad. Ta hänsyn till om annan elektrisk utrustning är kopplat till samma elkontakt eller grupp.
- Kontrollera att produkten är monterat på ett säkert sätt och sitter ordentligt fast i väggen eller på godkänt stativ.
- Apparaten får inte användas av barn under åtta (8) år och inte heller av personer med nedsatt fysisk eller mental förmåga eller någon som saknar erfarenhet och kunskap, om dessa inte får vägledning eller instruktioner gällande användningen av apparaten på ett säkert sätt och som förstår de risker som är involverade.
- Barn ska inte leka med produkten. Rengöring och underhåll får inte utföras av barn utan översyn.
- Barn under tre (3) skall hållas borta från produkten om de inte har kontinuerlig tillsyn.

- Barn i ålder tre (3) till åtta (8) får bara slå AV/PÅ produkten, förutsatt att produkten är monterad enligt monteringsanvisningen, samt att barnen har fått vägledning gällande användning av produkten på ett säkert sätt samt att de förstår riskerna som är involverade.

LÅT VÄRMAREN SVALNA I MINST 30 MINUTER INNAN BYTE AV VÄRMERÖR UTFÖRS

Brandrisk

Terrassvärmaren får inte placeras närmare möbler, gardiner och annat brännbart material än 1 meter på sidorna (var särskilt uppmärksam när produkten är monterad på CBSTAND). Produkten ska kopplas till ett eluttag som är godkänt för utomhusbruk.

Produkten får inte täckas över eller ställas i närheten av brännbara vätskor, gaser, annat brännbart material.



**SPARA DENNA BRUKSANVSNING!
VIDRÖR ALDRIG MED VÅTA HÄNDER — TÄCK
HELLER ALDRIG ÖVER DIN TERRASSVÄRMARE.**



PRODUKTEN ÄR VARM — RÖR INTE



Tärkeitä turvallisuuteen liittyviä tietoja

LUE KÄYTTÖOHJEET HUOLELLISESTI

Normala försiktighetsåtgärder ska alltid följas vid användning av elektriska apparater, särskilt när barn är närvarande.

VAROITUS! Varmista aina, että pistoke on irrotettu pistorasiasta ennen kuin laitetta siirretään tai puhdistetaan, jotta vältytään sähköiskuilta tai kuumuudesta johtuvilta vaurioilta.

- Lue käyttöohjeet huolellisesti.
- Varmista, että laite on kytketty tavalliseen kotitalousverkkovirtaan, laitteen merkintöjen mukaisesti.
- Varmista, ettei lämmityslamppuun ole jäänyt mitään pakkausmateriaalin palasia (polystyreeniä/pahvia). Palaset on poistettava epämiellyttävän hajun välttämiseksi.
- Laitetta ei saa ylikuumentaa – ei saa peittää.
- Ole erityisen varovainen, jos laitetta käytetään lasten, vanhusien tai liikuntarajoitteisten läsnä ollessa.
- Laitetta ei saa asentaa aivan pistorasian alle.
- Varmista, ettei kukaan voi kompastua johtoon.
- Laitetta ei saa käyttää, jos johto tai pistoke on vaurioitunut tai jos laite on pudonnut maahan tai on muutoin vaurioitunut eikä toimi normaalisti.
- Jos sähköjohto on vaurioitunut, se on korjautettava valmistajalla tai ammattitaitoisella teknikolla vaaratilanteiden välttämiseksi.

- Vältä jatkojohtoja, sillä ne voivat ylikuumentua ja aiheuttaa tulipalon.
- Laitetta ei saa asentaa helposti syttyvän materiaalin päälle tulipalovaaran vuoksi.
- Tuotetta ei saa koskaan käyttää paikoissa, joissa säilytetään bensiiniä, maaleja tai muita helposti syttyviä nesteitä.
- Laitetta ei saa käsitellä märillä käsillä.
- Lämmityslamppuun ei saa koskea paljain sormin. Jos lämmityslamppuun on koskettu vian vuoksi, on sormenjäljet pyyhittävä pois denaturoidulla alkoholilla kostutetulla pehmeällä liinalla. Sormenjäljistä jää rasvaa, joka voi palaa kiinni lämmityslamppuun. Tämä lyhentää lämmityslampun käyttöikää.
- Laite kuumenee, kun se laitetaan päälle. Varo, ettet polta ihoasi.
- Lämmitintä ei saa siirtää ennen kuin se on sammutettu ja kylmä ja sen pistoke on irrotettu.
- Älä ylikuormita virtalähdettä (virtapiiriä), johon laite on kytketty. Ole varovainen, jos samaan pistorasiaan tai virtapiiriin on kytketty jokin toinen sähkölaite.
- Varmista, että laite asennetaan ja kiinnitetään turvallisesti seinälle tai hyväksytylle telineelle.
- Laitetta eivät saa käyttää alle 8-vuotiaat lapset, henkilöt joilla on rajoittunut fyysinen tai psyykinen toimintakyky, eivätkä henkilöt, joilla ei ole riittävästi tietämystä tai kokemusta, paitsi jos he toimivat valvonnan alaisina tai saavat turvallisesti laitteen käyttöä koskevat ohjeet ja ymmärtävät siihen liittyvät vaarat.
- Lasten ei saa antaa leikkiä laitteella. Lasten ei saa antaa puhdistaa tai huoltaa laitetta ilman asianmukaista valvontaa.



- Alle 3-vuotiaat lapset on pidettävä kaukana laitteesta, paitsi jos heitä pidetään silmällä jatkuvasti.
- 3–8-vuotiaiden lasten saa antaa ainoastaan painaa laitteen katkaisinta, mikäli laite on asennettu asennusohjeiden mukaisesti ja lapsia valvotaan tai heille on annettu asianmukaiset laitteen turvallista käyttöä koskevat ohjeet ja he ymmärtävät kaikki laitteeseen liittyvät vaarat.

ANNA LAITTEEN JÄÄHTYÄ AINAKIN 30 MINUUTTIA ENNEN KUIN VAIHDAT LÄMMITYSLAMPUN.

Tulipalovaara

Terassilämmitintä ei saa sijoittaa alle metrin päähän huonekaluista, verhoista tai muista helposti syttyvistä materiaaleista (ole erityisen varovainen, kun laite asennetaan CBSTANDILLE). Jos laitetta käytetään ulkona, se on kytkettävä joko ulkokäyttöön soveltuvaan pistorasiaan tai sisäpistorasiaan.

Laitetta ei saa peittää eikä sijoittaa helposti syttyvien nesteiden, kaasujen tai muiden tulenarkojen materiaalien lähelle.



SÄILYTÄ NÄMÄ KÄYTTÖOHJEET MYÖHEMPÄÄ TARVETTA VARTEN!

LAITTEESEEN EI SAA KOSKEA MÄRILLÄ KÄSILLÄ.

TERASSILÄMMITINTÄ EI SAA PEITTÄÄ.



TUOTE ON LÄMMIN — ÄLÄ KOSKE

mill

Mill International AS
Grini Næringspark 10
1361 Østerås
Norway
www.millnorway.com

