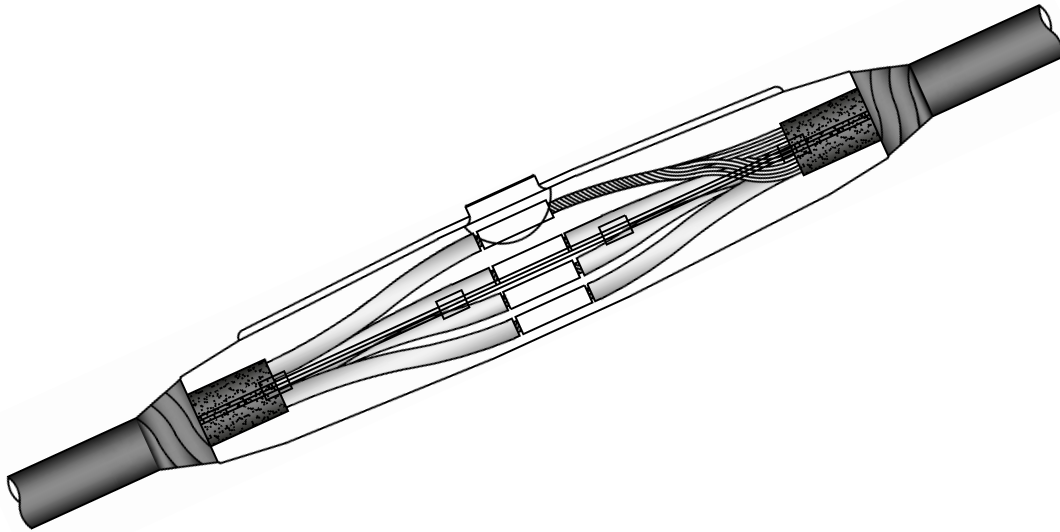


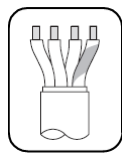
Low Voltage

Cast Resin

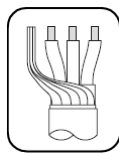


M-Euroline
 $U_0/U (U_m)$ 0.6/1 (1.2) kV

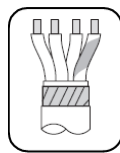
192956/0818/6/4



2/4



3/4



4/4

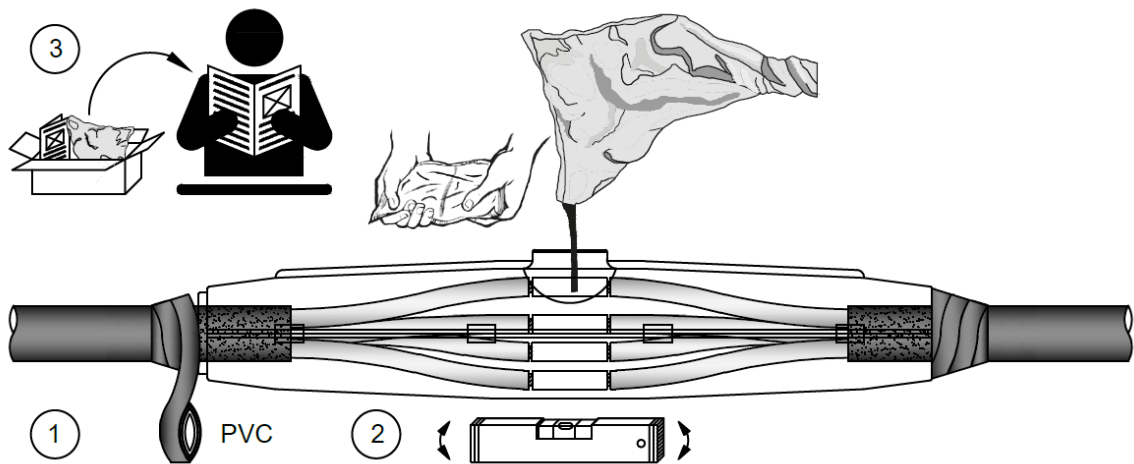
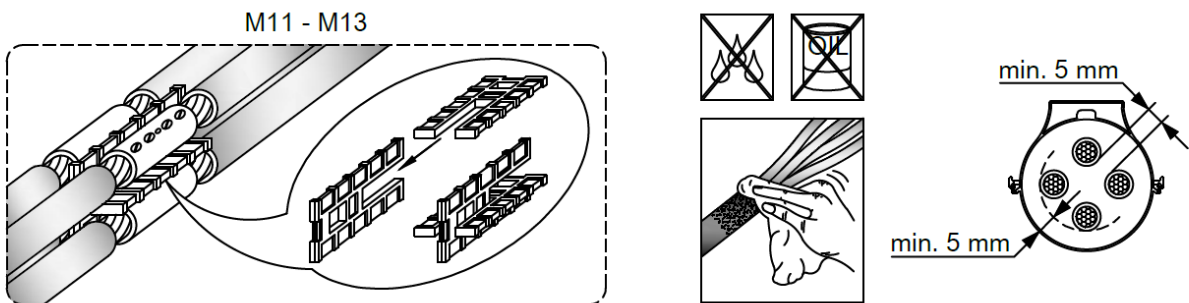
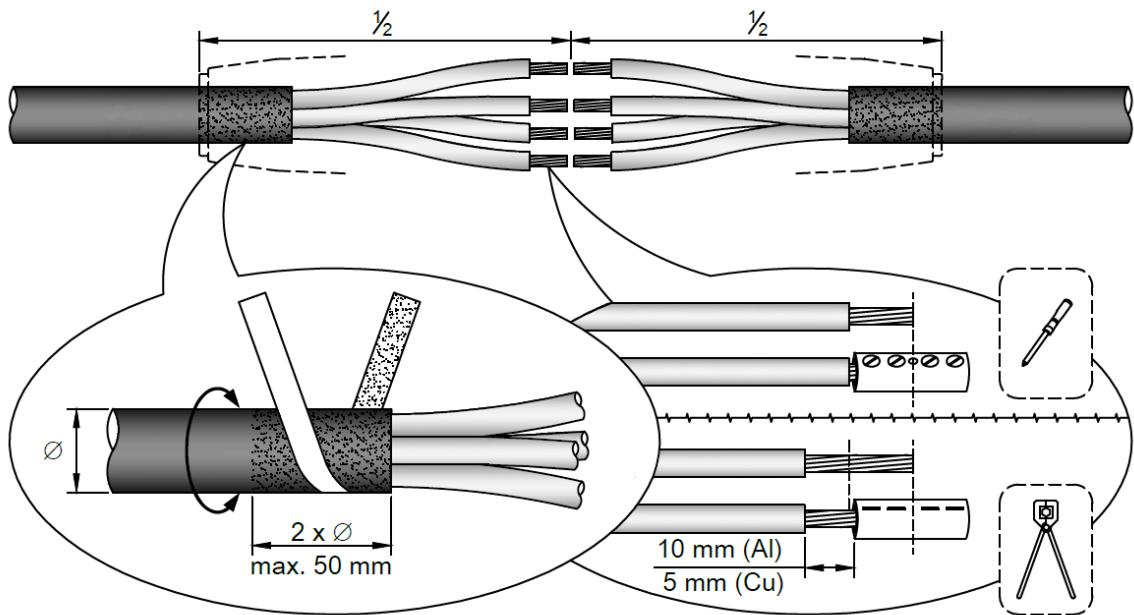
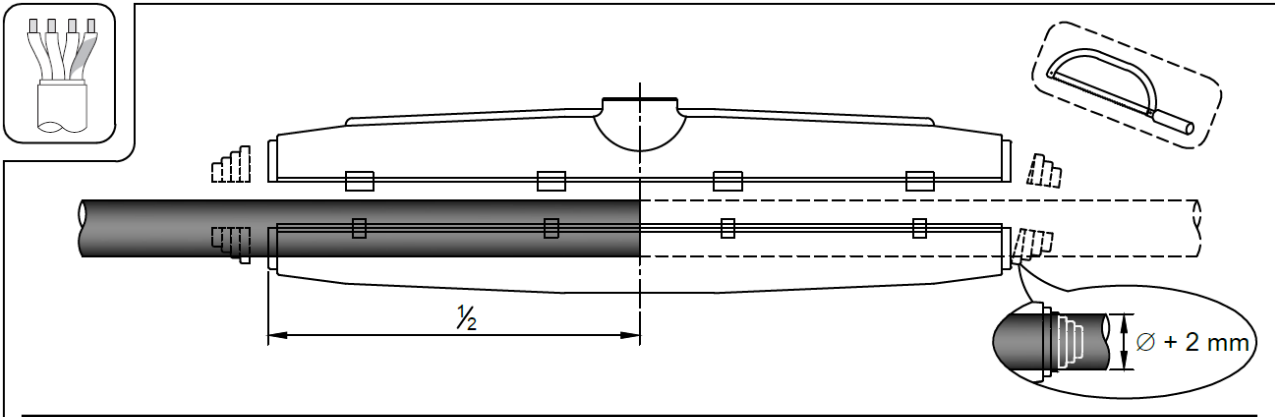


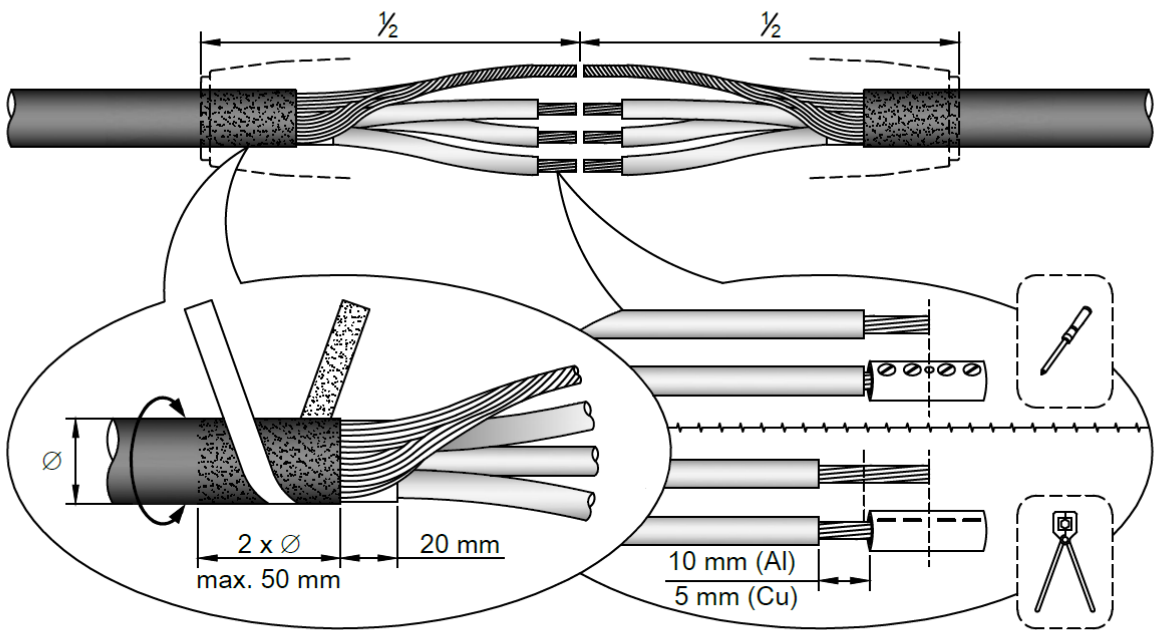
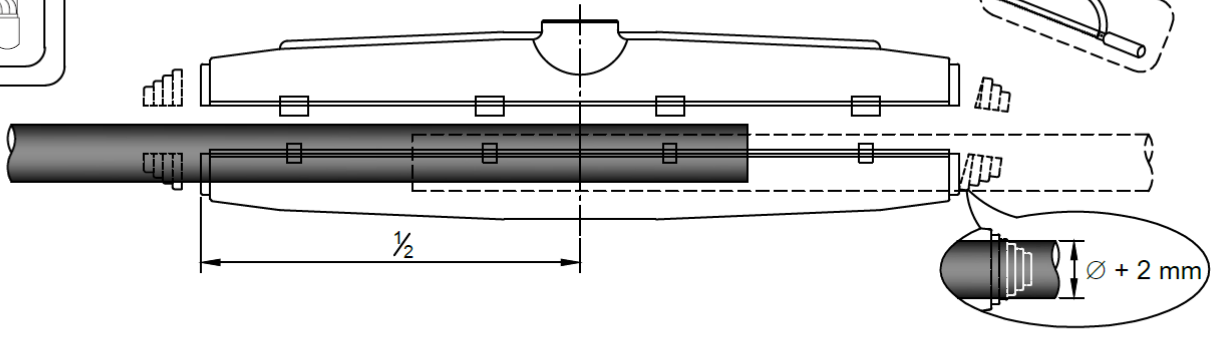
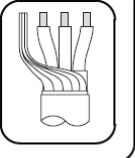
CELLPACK GmbH
Electrical Products
D-79761 Waldshut-Tiengen
Tel. +49(0)7741/60 07 11
Fax +49(0)7741/60 07 83
www.cellpack.com
e-mail: electrical.products@cellpack.com

CELLPACK AG
Electrical Products
CH-5612 Villmergen
Tel. +41(0)56/618 12 34
Fax +41(0)56/618 12 45

/// BBC
CELLPACK

Electrical Products





M11 - M13

